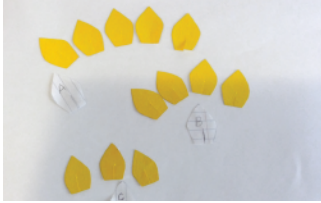


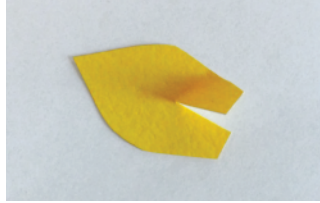
# PAPER FLOWERS

**Materials:** paper, scissors, glue (all glue types will work, but use hot glue for fastest results)

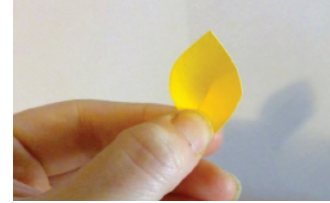
**Optional:** paint, glitter, sequins, beads, buttons, pom-poms, Popsicle sticks, safety pins, headband, hair clips, hair comb, ribbon



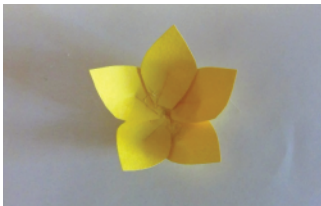
**1. Cut out the petals:** for larger flowers cut out A, B and C; for smaller flowers cut out petals B and C.  
*(Templates are on next page)*



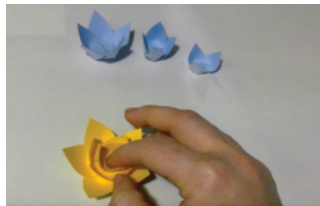
**2. Cut the center slit:** Cut along the short line at the center bottom of the petal to make a center slit; do not cut past the line.



**3. Make the petals 3-D:** Put a small drop of glue on the bottom corner of the petal right next to the center slit, then pull the opposite side on top. Press and hold in place until dry. Repeat for all petals.



**4. Create a ring:** Put a small drop of glue on the bottom outer corner of Petal A; put the bottom corner of another Petal A on top. Press and hold in place until dry. Glue all Petal A pieces together to create a ring. Repeat for Petal B and Petal C pieces.



**5. Layer the rings:** Put a small drop of glue in the center of Petal A ring and layer Petal B ring inside. Press and hold in place until dry. Repeat by gluing Petal C ring into Petal B ring.



**6. Decorate the center:** Put a small drop of glue in the center of the flower; add a decorative button, bead, pom-pom, glitter, etc.



**7. Make the leaves:** Cut out the number of leaves desired; assemble as above. Glue to the back of the flower.

**8. Create:** How will you use your flower? Here are a few ideas:

**Make a bouquet:** Combine several flowers together, then glue Popsicle sticks on the back for the stems

**Easy corsage:** Glue a safety pin to the back of a flower or bouquet

**Dress up your hair:** Glue flowers onto hair clips, headbands, or hair combs; attach to a ribbon to make a flower crown

**Decorate:** Make a wreath or garland; glue flowers to a plain wooden picture frame; create a table centerpiece

**Wrap gifts:** decorate the top of a present, or add flowers to gift tags

**SEE NEXT PAGE FOR TEMPLATES.**

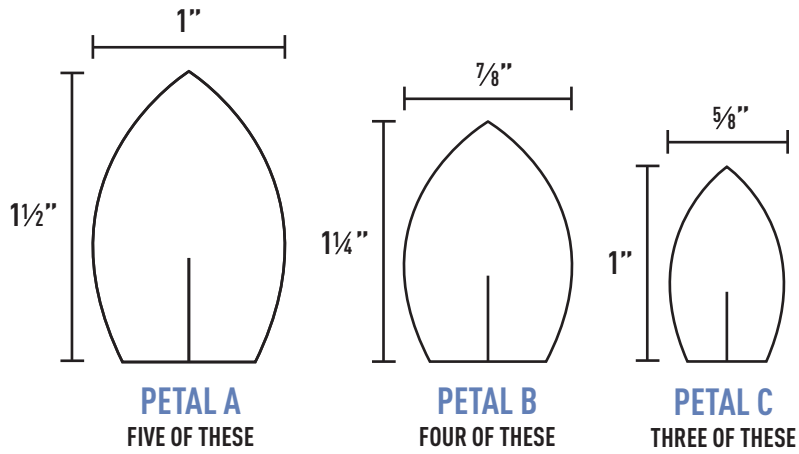
**FIDM :: MUSEUM & GALLERIES**

FIDMMUSEUM.ORG BLOG.FIDMMUSEUM.ORG

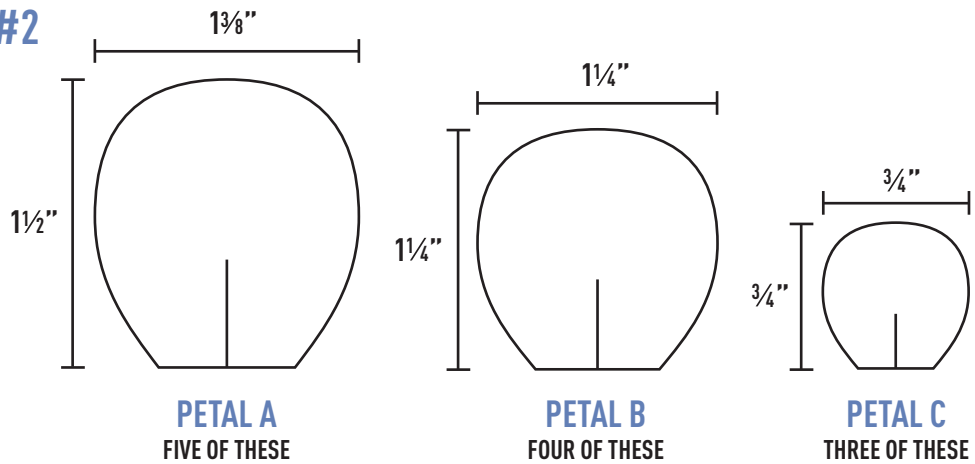
#FIDMMuseum #FIDMMuseumFamily

# PAPER FLOWER TEMPLATES

## FLOWER #1



## FLOWER #2



## LEAVES

